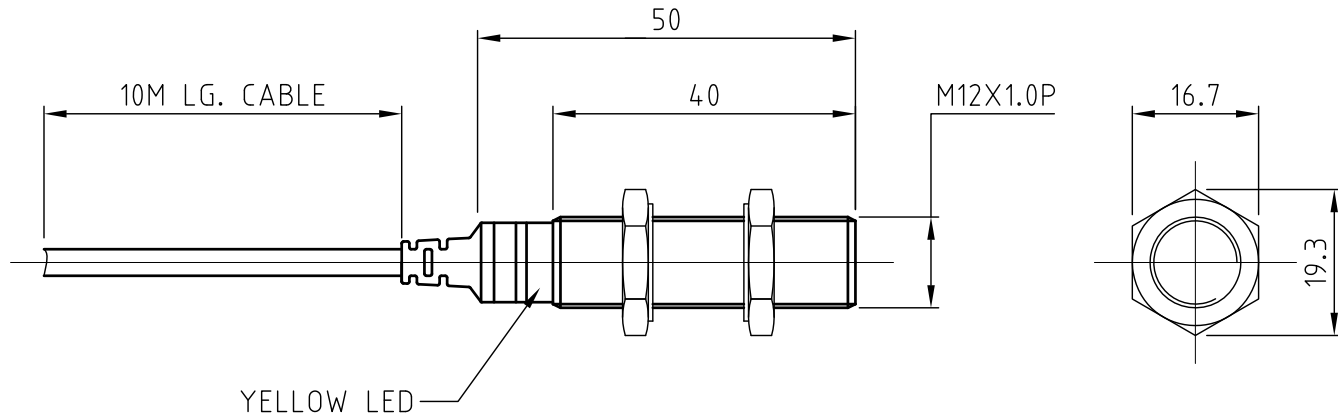

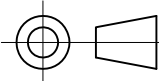


ELECTRICAL SCHEMATIC

TECHNICAL DATA

TYPE	PROXIMITY SWITCH
OUTPUT	NORMALLY CLOSED (NC)
INSTALLATION	EMBEDDABLE
ACCURACY	<3%
POWER SUPPLY	10 TO 30 VDC
HYSTERESIS	1 TO 15%
SWITCH POINT DRIFT	± <10%
ACTIVE CURRENT DRAW	<100 mA
STATIC CURRENT DRAW	<1 mA
MAX FREQUENCY	800 Hz
OPERATING TEMPERATURE RANGE	-25° TO 70° C
PROTECTION CLASS	IP67
CABLE	GREY 2 CORE Ø3.5MM X 10M LONG
DESIGNATION	LR12BF02DLO-10M



 <p>TC PROCESS EQUIPMENT          COPYRIGHT THRIVE CONSULTING          PTY LTD, SYDNEY AUSTRALIA. NO          PART OF THIS DRAWING MAYBE          REPRODUCED WITHOUT PERMISSION</p>	TITLE		PROXIMITY SENSOR FOR JWS TECHNICAL DETAILS		
	DRAWN	RHS	13.10.09		DRG No.
	CHECKED	RAS	13.10.09		PS0003701
	ENG. MGR.			SCALE 1:1	REVISION 2
APPR'D	MAA	13.10.09			A4